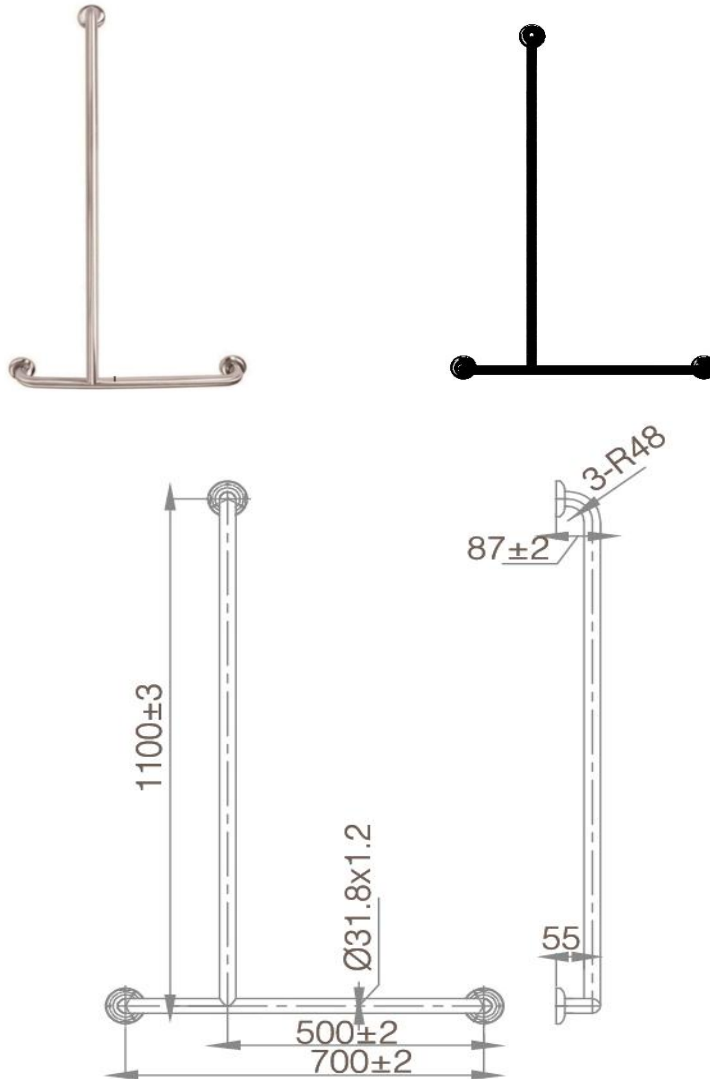


MOBI CARE T SHAPE SHOWER RAIL TP G19L / TP G19L MK

SPECIFICATIONS



Left or Right Hand Available

304 Grade Stainless Steel

Complies with AS1428.1 requirements

WARRANTY INFORMATION:

2 Year Replacement Parts or Product

All products have a full 1 year in house labour warranty from date of purchase (Excluding Seat and Hinges)

ZENMO
Zen-inspired, Modern Living

ADDRESS: 42 Castro Way, Derrimut VIC 3026

PHONE: (03) 8390 6300

OFFICE: ect_sales@outlook.com

SERVICE: ect_service@outlook.com

WEBSITE: www.zenmo.com.au